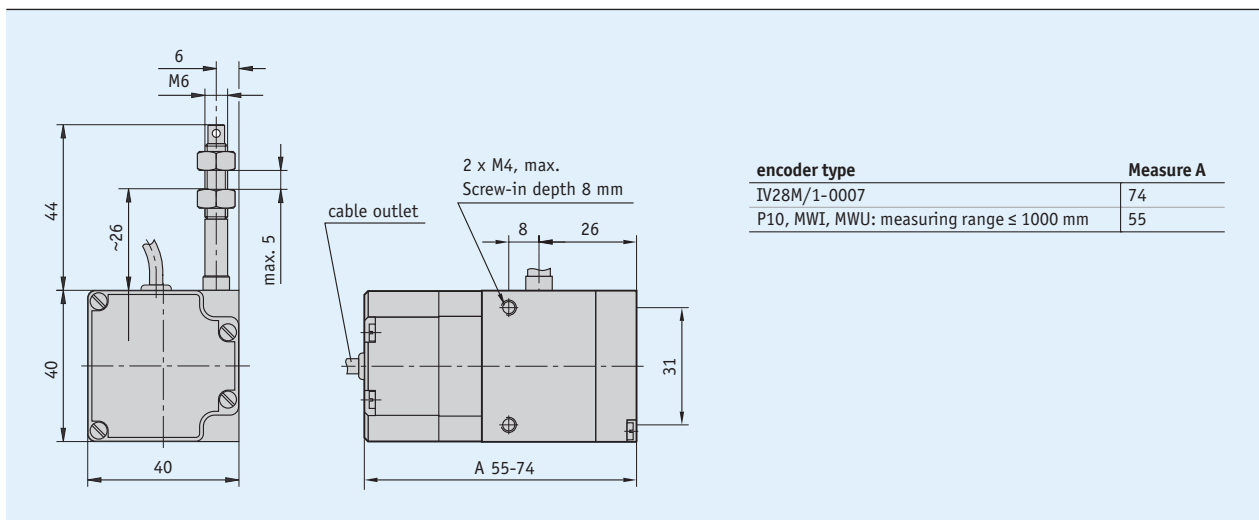


## Profile

- Compact design
- Universally applicable thanks to standardized interfaces
- Easy mounting
- Measurement lengths up to max. 2000 mm
- Potentiometer, voltage, power output or incremental encoder
- Housing made of reinforced plastic



## Mechanical data

Feature	Technical data	Additional information
Housing	reinforced plastic	
Wire design	steel wire (stainless steel) $\varnothing 0.45$ mm	plastic coated
Extension force	$\geq 2$ N	
Measured distance/ rope drum revolution	100 mm	
Cable length	$\leq 30$ m	P10 + MWI encoder type
	$\leq 20$ m	MWU encoder type
	1 m	IV28M/1-0007 encoder type
Weight	$\sim 0.2$ kg	

## Electrical data

### Encoder potentiometer

Feature	Technical data	Additional information
Power rating	1 W at 20 °C	300 measuring range
	2 W at 70 °C	500, 1000 measuring ranges
Resistance	10 k $\Omega$	
Resistance tolerance	$\pm 5$ %	
Linearity tolerance	$\pm 0.5$ %	300 measuring range
	$\pm 0.1$ %	500 measuring range
	$\pm 0.25$ %	1000 measuring range

### ■ Transducer, power output

Feature	Technical data	Additional information
Operating voltage	24 V DC $\pm 20\%$	at $\leq 500\ \Omega$ load
Output current	4 ... 20 mA	

### ■ Transducer, voltage output

Feature	Technical data	Additional information
Operating voltage	15 ... 28 V DC	at 3 mA, no load
Output voltage	0 ... 10 V DC	
Load	$\leq 15$ mA	

### ■ IV28M/1-0007 encoder incremental

Feature	Technical data	Additional information
Operating voltage	10 ... 30 V DC	at 25 mA, no load
Output circuit	PP	
Output signals	AB0	

\* Measurement transducers permit optimum adjustment of the output current and output voltage to the measuring range. The measurement transducer is pre-set at the works so that an output signal of 4 ... 20 mA (MWI) or 0 ... 10 V DC (MWU) is available.

## System data

Feature	Technical data	Additional information
Resolution	0.1 mm (10 Pulses/mm)	IV28M/1-0007 encoder type
	1000 steps/revolution	IV28M/1-0007 encoder type
Repeat accuracy	$\pm 0.15$ mm	
Travel speed	$\leq 800$ mm/s	

## Ambient conditions

Feature	Technical data	Additional information
Ambient temperature	-10 ... 80 °C	without transducer
	0 ... 50 °C	with transducer
Protection category	IP50 (encoder part potentiometer)	EN 600529
	IP54 (incremental)	EN 600529

## Pin assignment

### ■ Potentiometric outputs P10

Signal	E1 (terminal)
Po	brown
Pe	white
S	green

### ■ MWI transducer

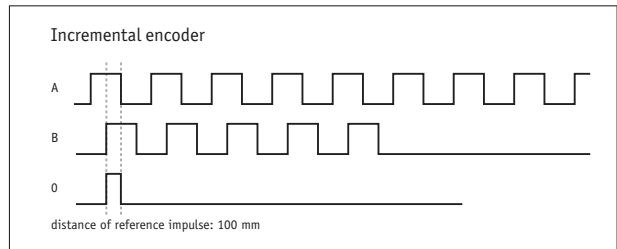
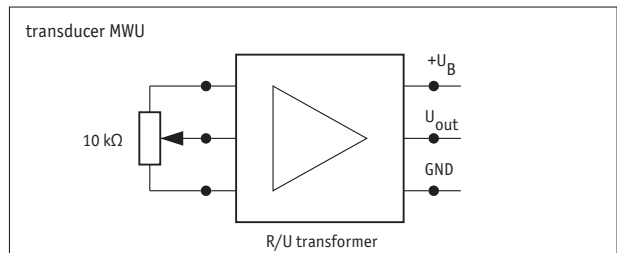
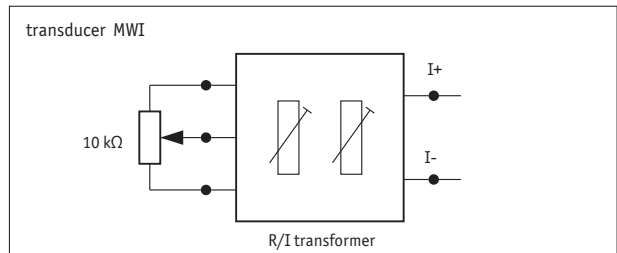
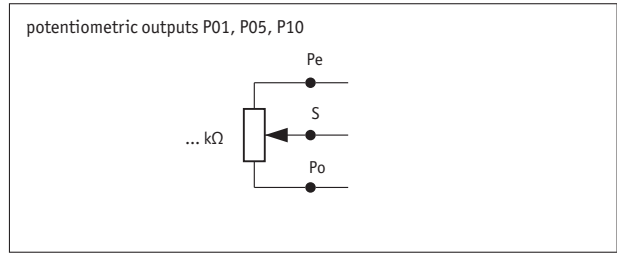
Signal	Cable color
I+	brown
I-	white

### ■ MWU transducer

Signal	Cable color
+24 V DC	brown
GND	white
U <sub>out</sub>	green

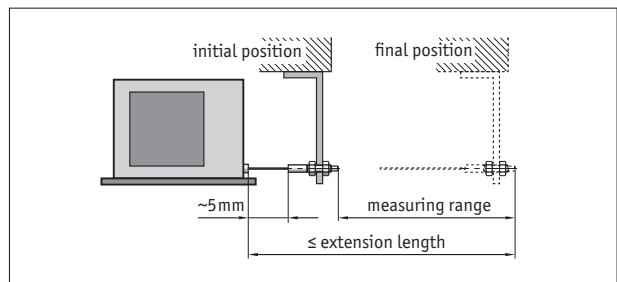
### ■ IV28M/1-0007 encoder type, incremental

Signal	E1 (terminal)
B	white
+24 V DC	brown
O/I	green
A	yellow
GND	gray



## Hint for mounting

When securing the wire it must be ensured that the wire is straight and vertical in relation to the wire outlet. Recommendation: Only select the starting position after an unwound length of approx. 5 mm. This prevents the wire hitting the end stop when it is rewound.



symbolic depiction

## Order

### Ordering table

Feature	Ordering data	Specification	Additional information	
Measuring range	...	300, 500, 1000 in mm	Encoder types $\Omega$ , I, U (potentiometer and transducer) Incremental output IV28M/1	
	2000I			A
Encoder type	P10	potentiometer with 10k $\Omega$ transducer 4 ... 20 mA transducer 0 ... 10 V incremental encoder others on request	only with measuring range 2000	
	MWI			B
	MWU			
	IV28M/1-0007			
Cable length	0.5	0.5 m 1 ... 20 m, in steps of 1 m specified with encoder type "IV28M/1-0007"	with encoder type P10 or MWI/MWU with encoder type P10 or MWI/MWU	
	...			C
	IG			

### Order key



Scope of delivery: SG10

Accessories:  
Guide roller UR

[www.siko-global.com](http://www.siko-global.com)