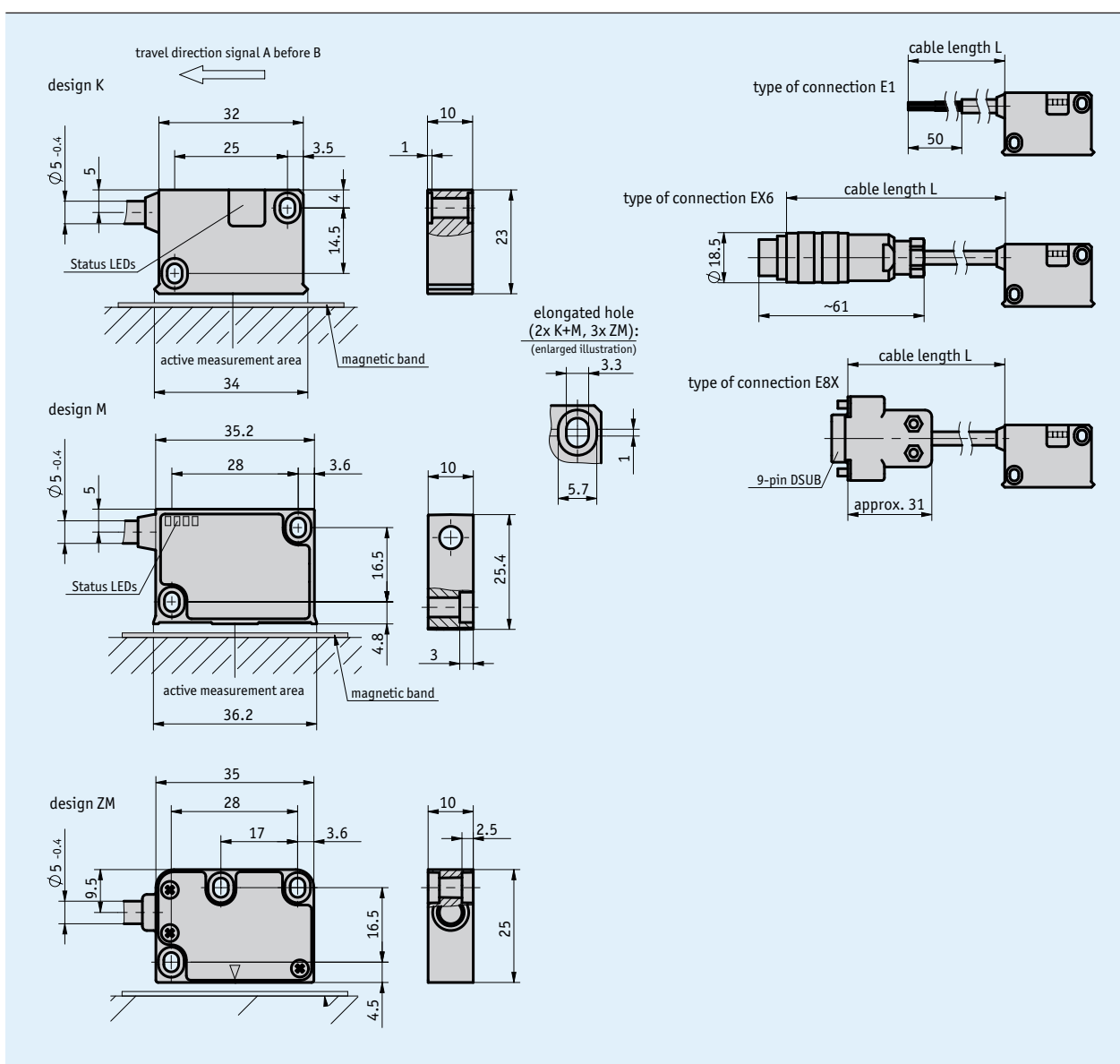


Profile

- Max. resolution 1 μm
- Repeat accuracy $\pm 0.01\text{ mm}$
- Status LED display
- Works with magnetic tape MB500/1
- Reading distance $\leq 2\text{ mm}$



Mechanical data

Feature	Technical data	Additional information
Housing	synthetic material ABS black	K design
	zinc die-cast/aluminum	M design, aluminum front cover
	zinc die-cast	ZM design
Sensor/band reading distance	0.1 ... 2 mm	0, I reference signals
	0.1 ... 1.5 mm	R reference signal
Cable sheath	PUR, suitable for drag-chain use	6, 8-wire $\varnothing_{5,0,4}$ mm

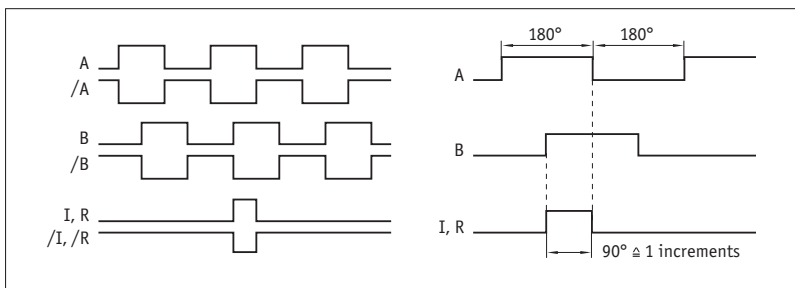
Travel speed

Resolution [mm]		Travel speed V_{max} [m/s]																			
		0.001	0.005	0.010	0.025	0.050	0.100	0.200	0.320	0.500	0.800	1.000									
Pulse interval [μs]	0.20	25.00	25.00	25.00	25.00	25.00	25.00	25.00	25.00	25.00	25.00	25.00	25.00	25.00	25.00	25.00	25.00	25.00	25.00	25.00	25.00
	0.25	25.00	25.00	25.00	25.00	25.00	25.00	25.00	25.00	25.00	25.00	25.00	25.00	25.00	25.00	25.00	25.00	25.00	25.00	25.00	25.00
	0.50	25.00	25.00	25.00	25.00	25.00	25.00	25.00	25.00	25.00	25.00	25.00	25.00	25.00	25.00	25.00	25.00	25.00	25.00	25.00	25.00
	1.00	25.00	25.00	25.00	25.00	25.00	25.00	25.00	25.00	25.00	25.00	25.00	25.00	25.00	25.00	25.00	25.00	25.00	25.00	25.00	25.00
	2.50	25.00	25.00	25.00	25.00	25.00	25.00	25.00	25.00	25.00	25.00	25.00	25.00	25.00	25.00	25.00	25.00	25.00	25.00	25.00	25.00
Counting frequency [kHz]		1250.00	1000.00	500.00	250.00	100.00	62.50	31.25	15.63	7.81	3.79										

Electrical data

Feature	Technical data	Additional information
Operating voltage	6.5 ... 30 V DC	reverse polarity protected
	4.75 ... 6 V DC	without reverse polarity protection
Current consumption	<25 mA	at 24 V DC, unloaded
	<75 mA	loaded
Output circuit	PP, LD (RS422)	
Output signals	A, /A, B, /B, I, /I bzw. R, /R	
Output signal level high	>UB - 2.5 V	PP
	>2.5 V	LD
Output signal level low	<0.8 V	
Pulse width of reference signal	1 or 4 increment(s)	
Real-time requirement	speed-proportional signal output	
Type of connection	open cable end	
	plug connector	7/8-pole
	D-Sub	9-pole

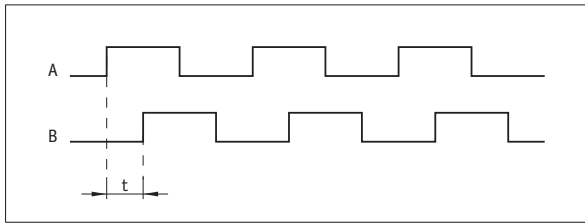
Signal pattern



! The logical condition of signals A and B is not defined in reference to the index signal I or the reference signal R. It can deviate from the signal form.

! Reference or index signal with 4 increments (360°) signal length is only valid from the 5th counting step onwards. A corresponding delay should be taken into consideration after switching on the operating voltage.

■ Pulse interval



Example: Pulse interval t = 1 μs

(i. e., the downstream unit must be able to process 250 kHz)

$$\text{Formula for counting frequency} = \frac{1}{1 \mu\text{s} \times 4} = 250 \text{ kHz}$$

System data

Feature	Technical data	Additional information
Resolution	0.001, 0.005, 0.01, 0.025, 0.05, 0.1 mm	
System accuracy	± (0.025 + 0.01 x L) mm, L in m	
Repeat accuracy	±10 μm	
Measuring range	∞	
Travel speed	depending on resolution and pulse interval	see table

Ambient conditions

Feature	Technical data	Additional information
Ambient temperature	-10 ... 70 °C	
Storage temperature	-30 ... 80 °C	
Relative humidity	100 %	condensation admissible
EMC	EN 61000-6-2	interference resistance / immission
	EN 61000-6-4	emitted interference / emission
Protection category	IP67	EN 60529
Shock resistance	500 m/s ² , 11 ms	EN 60068-2-27
Vibration resistance	100 m/s ² , 5 ... 150 Hz	EN 60068-2-6

Pin assignment

■ Inverted without reference signal

Signal	E1	E6X	E8X
A	red	1	1
B	orange	2	2
nc		3	3
+UB	brown	4	4
GND	black	5	5
/A	yellow	6	6
/B	green	7	7
nc			8
nc			9

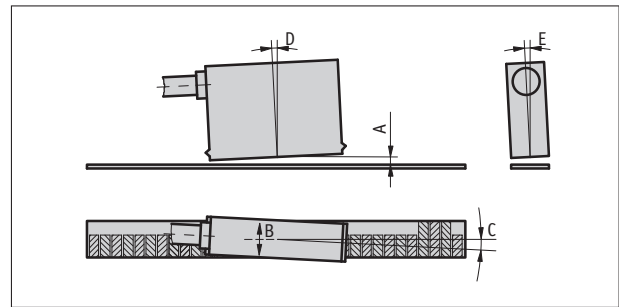
■ Inverted with reference signal

Signal	E1	E6X	E8X
A	red	1	1
B	orange	2	2
I,R	blue	3	3
+UB	brown	4	4
GND	black	5	5
/A	yellow	6	6
/B	green	7	7
/I, /R	violet	8	8
nc			9

Hint for mounting

For systems with reference points on the magnetic tape please take care that sensor and strip are correctly aligned (see picture).

Reference signal	O, I	R
A, Sensor/tape reading distance	$\leq 2 \text{ mm}$	$\leq 1.5 \text{ mm}$
B, Lateral offset	$\pm 2 \text{ mm}$	$\pm 0.5 \text{ mm}$
C, Alignment error	$\pm 3^\circ$	$\pm 3^\circ$
D, Longitudinal inclination	$\pm 1^\circ$	$\pm 1^\circ$
E, Lateral inclination	$\pm 3^\circ$	$\pm 3^\circ$



Symbolic representation

Order

Ordering information

one or more system components are required:

Magnetic band MB500/1

www.siko-global.com

Ordering table

Feature	Ordering data	Specification	Additional information
Operating voltage	10	6.5 ... 30 V DC	
	11	4.75 ... 6 V DC	
Design	K	plastic housing	
	M	metal housing with status LEDs	
	ZM	metal housing without status LEDs	
Type of connection	E1	open cable end	
	E6X	bullet connector without mating connector	
	E8X	D-SUB 9-pin without mating connector	
		extension cables on request	
Cable length	...	01.0 ... 20 m, in steps of 1 m	
		others on request	
Output circuit	PP	push-pull	
	LD	Line Driver	
Reference signal	O	without	
	I	periodic index	index signal every 5 mm
	R	fixed reference	
Resolution	...	0.001, 0.005, 0.01, 0.025, 0.5, 0.1	
		others on request	
Pulse interval	...	0.2, 0.25, 0.5, 1.00, 2.5, 4, 8, 16, 32, 66	

Order key

MSK5000 linear - - - - - - - -

A B C D E F G H

Scope of delivery: MSK5000 linear, Mounting instructions, Sensor fastening set