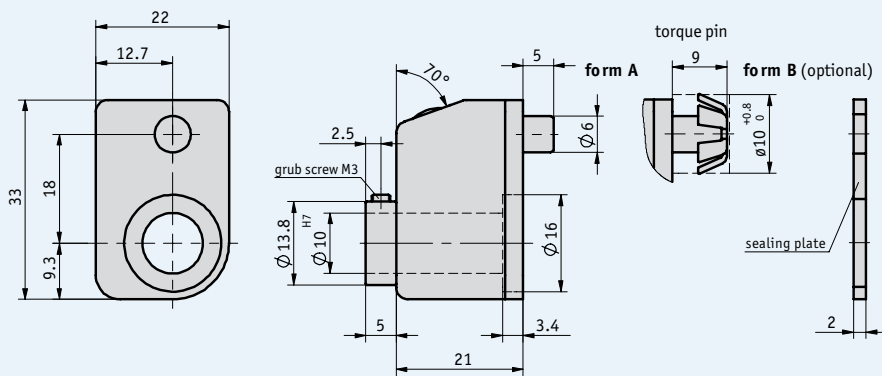


### Profile

- Ultra-small design
- Hollow shaft with max.  $\varnothing$  of 10 mm
- Minimum axle base of 19 mm
- Counter can be designed for "mm" or "inch"
- With stainless-steel driving shaft as an option




### Mechanical data

Feature	Technical data	Additional information
Counter	3 decades	
Digit height	approx. 4 mm	
Housing	plastic, reinforced	
Weight	0.02 kg	
Ambient temperature	max. +80 °C	

### ■ Max. speed

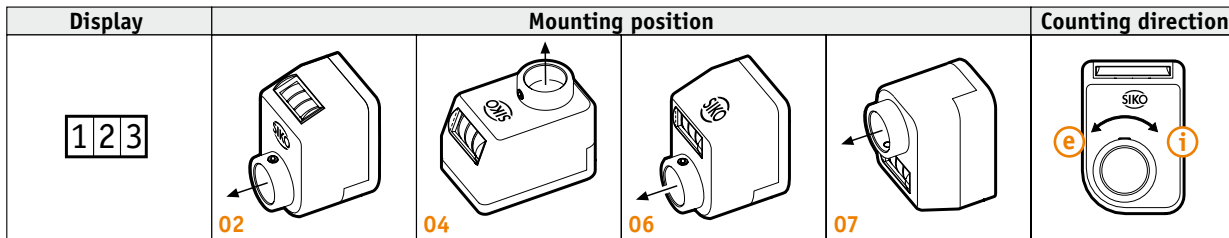
Indication after 1 <sup>st</sup> revolution	Max. speed (rpm)
010	500 (1500)
015	500 (1000)
020	500 (750)
025	500 (600)
030	500
040	375
050	300
060	250
080	180
100	150

$$\text{Formula for max. speed} = \frac{15\,000}{\text{Indication after 1}^{\text{st}} \text{ revolution}}$$

 *Speeds >500 rpm must only be run for short periods.*

### Order

#### ■ Design



Note: Characters highlighted in orange are order features

#### ■ Order table

Feature	Order data	Specification	Additional information
Design/mounting position	...	<b>A</b> 02, 04, 06, 07	see the icons illustrating the mounting position
Indication after 1 <sup>st</sup> revolution	...	<b>B</b> 7/5, 10, 12/5, 15, 17/5, 20, 25, 30, 40, 50, 60, 80, 100 others on request	/5 = arithmetical value not displayed
Decimal place	0	<b>C</b> 0 = 000	
	1	1 = 00.0	
	2	2 = 0.00	
Counting direction = ascending values	i	<b>D</b> clockwise	
	e	counter-clockwise	
Hollow shaft/diameter (mm)	10	<b>E</b> Ø 10 mm	
	...	VA10	stainless steel
	...	RH6, RH7, RH8	reducing bush
Housing color	0	<b>F</b> orange RAL 2004	
	S	black	

#### ■ Order code

DA02 -   -   -   -   -   -   -   - A

A      B      C      D      E      F

**Scope of delivery:** DA02

**Accessories:**  
Reducing bushes

Page 110

**Additional information:**  
General information and areas of application

Page 8 cont.