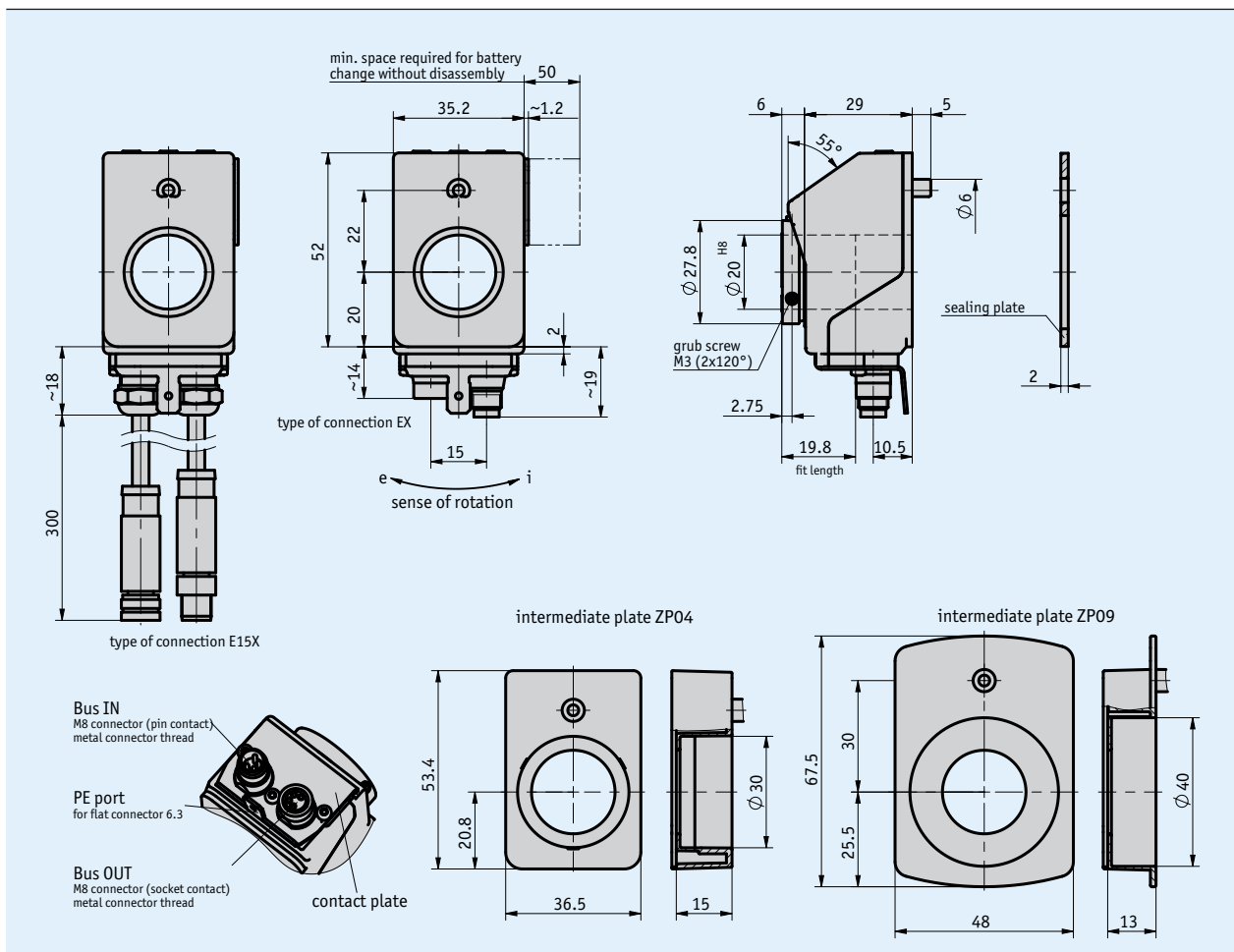
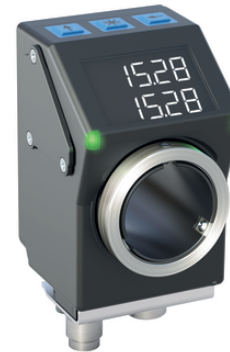


### Profile

- Electronic position indicator with bus interface
- Backlit two-row LCD
- Display of target and actual value displays with integrated alignment
- User guidance through status LEDs
- Hollow shaft with  $\varnothing$  20 mm and clamping ring made of stainless steel
- Enhanced shock resistance owing to protective display glass
- Integrated RS485 interface, CAN bus as an option
- Robust sensor technology unit thanks to magnetic scanning
- Mechanically compatible with the AP04 and DA04 position indicators
- IP53 type of protection, IP65 as an option



### Mechanical data

Feature	Technical data	Additional information
Shaft	plastic	
Housing	reinforced plastic	plug thread / PE connection metal
Color	black, RAL 9005	
Clamping ring	stainless steel	
Speed	$\leq$ 500 rpm	
Cable sheath	PUR	EX15 type of connection
Cable bending radius	$\geq$ 30 mm	permanently laid

## Electrical data

Feature	Technical data	Additional information
Operating voltage	24 V DC $\pm 20\%$	reverse polarity protected
Current consumption	~30 mA	
Battery service life	~8 year(s)	
Display/display range	5-digit LCD 7-segment, ~6 mm height	decimal points, 2 rows, special characters (LED backlit red/white)
Special character	arrow clockwise, arrow counter-clockwise, incremental dimension, battery	
Status display	2x two-color LED (red/green)	position status, configurable
Keys	incremental measurement function, parameterizing, resetting	
Bus connection	RS485; CANopen	no galvanic isolation
Type of connection	2x M8-plug connectors (A-coded) grounding via flat connector 6.3 mm	4-pole, 1x socket, 1x pin

## System data

Feature	Technical data	Additional information
Scanning	magnetic	
Resolution	720 increments/revolution	displayed value/revolution freely configurable
Measuring range	$\leq 932067$ revolution(s)	coded

## Ambient conditions

Feature	Technical data	Additional information
Ambient temperature	0 ... 60 °C	
Storage temperature	-20 ... 80 °C	
Relative humidity		condensation inadmissible
EMC	EN 61000-6-2	interference resistance / immission
	EN 61000-6-4	emitted interference / emission
Protection category	IP53	EN 60529, in the fitted condition, with mating connector mounted
	IP65	EN 60529, in the fitted condition, with mating connector mounted
Shock resistance	$\leq 500$ m/s <sup>2</sup> , 11 ms	EN 60068-2-27, half-sine, 3 axes (+/-), each 3 pulses
Vibration resistance	$\leq 100$ m/s <sup>2</sup> , 10 ... 2000 Hz	EN 60068-2-6, 3 axes, each 10 cycles

## Pin assignment

### ■ Interfaces

RS485	CAN	PIN
TxRx-/DÜB	CANL	1
TxRx+/DÜA	CANH	2
+24 V DC	+24 V DC	3
GND	GND	4

### Order

#### Ordering table

Feature	Ordering data	Specification	Additional information
Interface/protocol	CAN	CANopen	
	S3/09	RS485/SIKONETZ5	
Hollow shaft/diameter	20	∅20 mm	
	...	RH12, RH14, RH15, RH16	reducing bushes
Intermediate plate	OZP	without	
	ZP04		
	ZP09	adaptation DA09S	
Protection category	IP53	IP53	
	IP65	IP65	
Software	S	standard software	
	SW04	compatible to AP04-CAN	
	SW05	compatible to AP04-SN5	
	SW06	compatible to AP04-SN3/4	

#### Order key



**Scope of delivery:** AP05, Mounting instructions

#### Accessories:

Reduction sleeve RH09	<a href="http://www.siko-global.com">www.siko-global.com</a>
Pneumatic clamping plate KP09P	<a href="http://www.siko-global.com">www.siko-global.com</a>
Clamping plate KPE04	<a href="http://www.siko-global.com">www.siko-global.com</a>
Battery unit ZB1027	<a href="http://www.siko-global.com">www.siko-global.com</a>
Easy Touch Control ETC5000	<a href="http://www.siko-global.com">www.siko-global.com</a>
Cable extension KV04S1	<a href="http://www.siko-global.com">www.siko-global.com</a>
Mating Connector Overview	<a href="http://www.siko-global.com">www.siko-global.com</a>
Mating connector, 4-pole, socket	Order key 84209
Mating connector, 4-pole, pin	Order key 84210
Bus terminating connector, 4-pole, pin	Order key BAS-0005