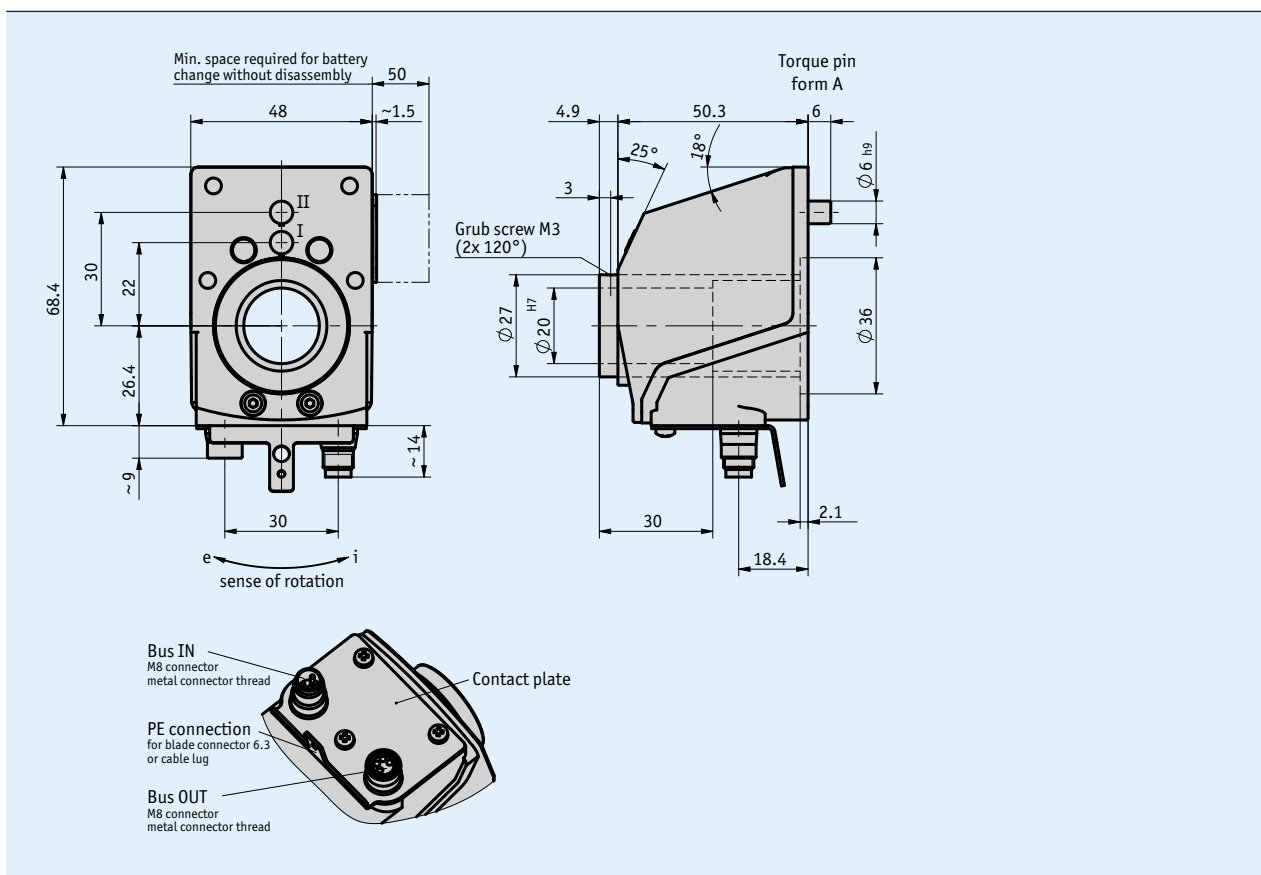


Profile

- Electronic position indicator with bus interface
- Stainless-steel hollow shaft $\varnothing 20$ mm, up to $\varnothing 25.4$ mm as an option
- Backlit display
- Two-line LCD for target and actual values
- Reset, incremental measurement, offset via keyboard
- Integrated RS485 interface, CAN bus as an option
- Robust sensor technology unit thanks to magnetic scanning
- User guidance through status LEDs
- Mechanically compatible with the DA09S position indicator
- IP53 type of protection, IP65 as an option



Mechanical data

| Feature | Technical data | Additional information |
|---------|--------------------|------------------------|
| Shaft | stainless steel | |
| Housing | reinforced plastic | metal plug thread |
| Color | black, RAL 9005 | |
| Speed | ≤500 rpm | |

Electrical data

| Feature | Technical data | Additional information |
|-----------------------|---|--|
| Operating voltage | 24 V DC $\pm 20\%$ | |
| Current consumption | ~ 30 mA | additional ~ 3 mA per LED when operated with LEDs |
| Battery service life | ~ 5 year(s) | |
| Display/display range | 6-digit LCD 14-segment, ~ 8 mm height | decimal points, 2 rows, special characters (backlit LED red/white) |
| Special character | cw arrow, ccw arrow, incremental measurement, battery | |
| Status display | 2x two-color LED (red/green) | position status, configurable |
| Keys | incremental measurement function, parameterizing, resetting | |
| Bus connection | RS485; CANopen | no galvanic isolation |
| Type of connection | 2x M8-plug connectors (A-coded) grounding via flat male tab 6.3 mm or terminal lug | 4-pole, 1x socket, 1x pin |

System data

| Feature | Technical data | Additional information |
|-----------------|--|------------------------|
| Scanning | magnetic | |
| Resolution | freely configurable between 1 and 65535 increments/revolution 880 increments/revolution | |
| Measuring range | ≤ 11914 | |

Ambient conditions

| Feature | Technical data | Additional information |
|----------------------|-------------------------------------|--|
| Ambient temperature | 0 ... 60 °C | |
| Storage temperature | -20 ... 80 °C | |
| Relative humidity | | condensation inadmissible |
| Protection category | IP53 IP65 | EN 60529, only with mating connector EN 60529, only with mating connector |
| Shock resistance | 500 m/s ² , 11 ms | EN 60068-2-27 |
| Vibration resistance | 100 m/s ² , 5 ... 150 Hz | EN 60068-2-6 |

Pin assignment

■ Interfaces

| RS485 | CAN bus | PIN |
|-----------|----------|-----|
| TxRx-/DÜB | CANL | 1 |
| TxRx+/DÜA | CANH | 2 |
| +24 V DC | +24 V DC | 3 |
| GND | GND | 4 |

Order

Ordering table

| Feature | Ordering data | Specification | Additional information |
|-----------------------|---------------|-----------------|------------------------|
| Interface/protocol | CAN | CANopen | |
| | S3/09 | RS485/SIKONETZ5 | |
| Hollow shaft/diameter | 20 | ∅20 mm | |
| | 25.4 | ∅25.4 mm | |
| Torque pin/position | II | 30 mm distance | |
| | I | 22 mm distance | optional |
| Protection category | IP53 | IP53 | |
| | IP65 | IP65 | |
| Viewing window | SF | front foil | |
| | K | plastic | impact protection |

Order key



Accessories:

| | |
|--|--|
| Clamping plate KPL09 | www.siko-global.com |
| Pneumatic clamping plate KP09P | www.siko-global.com |
| Reduction sleeve RH09 | www.siko-global.com |
| Cable extension KV04S1 | www.siko-global.com |
| Easy Touch Control ETC5000 | www.siko-global.com |
| Mating Connector Overview | www.siko-global.com |
| Mating connector, 4-pole, socket | Order key 84209 |
| Mating connector, 4-pole, pin | Order key 84210 |
| Bus terminating connector, 4-pole, pin | Order key BAS-0005 |