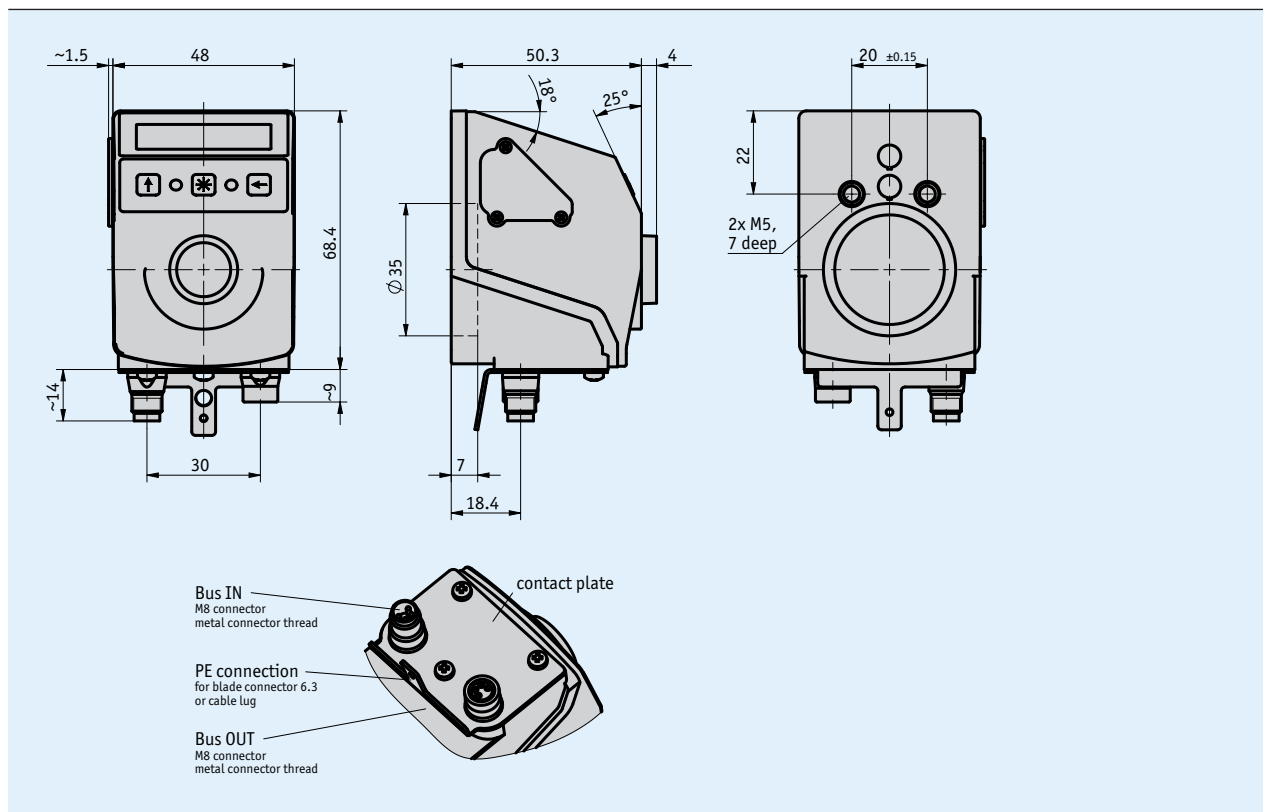


## Profile

- Setpoint display with bus interface without measurement of actual value
- Large control key to confirm target value
- Optimally readable backlit display
- Two-line LCD-Display
- Integrated RS485 interface, CAN bus as an option
- User guidance via bicolor status LEDs
- IP53 type of protection, IP65 as an option



## Mechanical data

Feature	Technical data	Additional information
Housing	reinforced plastic	metal plug thread
Color	black, RAL 9005	

## Electrical data

Feature	Technical data	Additional information
Operating voltage	24 V DC ±20 %	
Current consumption	~30 mA	additional ~3 mA per LED when operated with LEDs
Display/display range	6-digit LCD 14-segment, ~8 mm height	decimal points, 2 rows, (backlit LED red/white)
Status display	2x two-color LED (red/green)	acknowledgment status, configurable
Keys	acknowledgment, parameterization	
Bus connection	RS485; CANopen	no galvanic isolation
Type of connection	2x M8-plug connectors (A-coded) grounding via flat male tab 6.3 mm or terminal lug	4-pole, 1x socket, 1x pin

## Ambient conditions

Feature	Technical data	Additional information
Ambient temperature	0 ... 60 °C	
Storage temperature	-20 ... 80 °C	
Relative humidity		condensation inadmissible
EMC	EN 61000-6-2 EN 61000-6-4	interference resistance / immission emitted interference/emission
Protection category	IP53 IP65	EN 60529, only with mating connector EN 60529, only with mating connector
Shock resistance	500 m/s <sup>2</sup> , 11 ms	EN 60068-2-27
Vibration resistance	100 m/s <sup>2</sup> , 5 ... 150 Hz	EN 60068-2-6

## Pin assignment

### ■ Interfaces

RS485	CAN bus	PIN
TxRx-/DÜB	CANL	1
TxRx+/DÜA	CANH	2
+24 V DC	+24 V DC	3
GND	GND	4

## Order

### ■ Ordering table

Feature	Ordering data	Specification	Additional information
Interface/protocol	S3/09 CAN	A RS485/SIKONETZ5 CANopen	
Protection category	IP53 IP65	B IP53 IP65	
Viewing window	SF K	C front foil plastic	impact protection

### ■ Order key

AP10T - A - B - EX - C - S

**Scope of delivery:** AP10T, Mounting instructions, Documentation on CD

#### Accessories:

Cable extension KV04S1	<a href="http://www.siko-global.com">www.siko-global.com</a>
Mating Connector Overview	<a href="http://www.siko-global.com">www.siko-global.com</a>
Mating connector, 4-pole, socket	Order key 84209
Mating connector, 4-pole, pin	Order key 84210
Bus terminating connector, 4-pole, pin	Order key BAS-0005