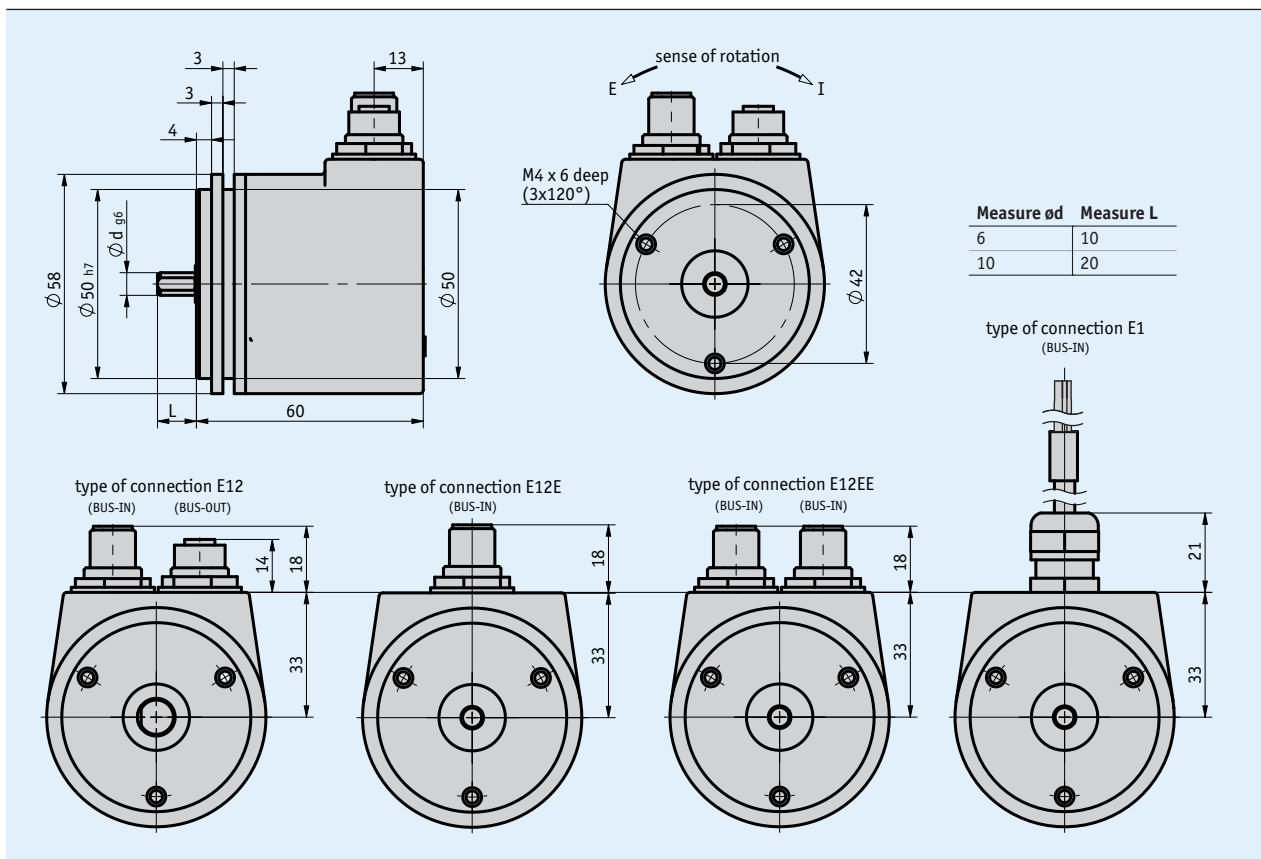


Profile

- Absolute redundant rotary encoder
- Particularly sturdy design
- Operating voltage 8 ... 36 VDC
- Also available in a salt-spray resistant housing
- High electro-magnetic compatibility
- Available with special swing ring functionality



Mechanical data

Feature	Technical data	Additional information
Shaft	stainless steel	
Flange	aluminum	
Housing	die-cast aluminum	
Speed	≤ 6000 rpm	IP65
	≤ 3000 rpm	IP67
Moment of inertia	≤ 8 gcm ²	
Starting torque	≤ 2 Ncm	
Shaft load rating	≤ 80 N	radial
	≤ 40 N	axial
Cable sheath	PVC	E1 connection type
Cable bending radius	> 25 mm	E1 connection type, static
Mounting type	servo-flange	
Weight	~ 0.35 kg	

Electrical data

Feature	Technical data	Additional information
Operating voltage	8 ... 36 V DC	
Current consumption	20 mA	at 36 V
	28 mA	at 24 V DC
	76 mA	at 8 V
Power input	≤800 mW	without load
Status display	2x tricolor LEDs (red/green/yellow)	device status/CAN status
Interface	CANopen (Profil DS406)	gemäß ISO 11898, nicht getrennt
Address	1 ... 127	
Baud rate	20 kBit/s	
	50 kBit/s	
	125 kBit/s	
	250 kBit/s	
	500 kBit/s	
	800 kBit/s	
Cycle time	1.5 ms	
Starting time	150 ms	
Parameter	gemäß CiA DS-301, DS-406, DS-303 Part 3	CANopen
Type of connection	1x M12 connector (A-coded)	5-pole, 1x pin (E12E connection type)
	2x M12 connector (A-coded)	5-pole, 1x pin; 5-pole, 1x socket (E12 connection type)
	2x M12 connector (A-coded)	5-pole, 2x pin (E12EE connection type)
	open cable end	type of connection E1

System data

Feature	Technical data	Additional information
Scanning	magnetic	
Resolution	14 Bit	single-turn
Measuring range	1 revolution(s)	single-turn
	4096 revolution(s)	
Failure rate	206.1 year(s)	at 40 °C (MTTF) acc. to EN/IEC 61709 (SN29500)
	580 year(s)	at 60 °C (MTTFd) each channel
	FIT=1,0E-09	at 60 °C (PFH)
Error detection	77 %	at 60 °C (DCavg) according to ISO13849-1, Appendix E.2

Ambient conditions

Feature	Technical data	Additional information
Ambient temperature	-40 ... 85 °C	
Storage temperature	-40 ... 85 °C	
Relative humidity	100 %	condensation admissible
EMC	EN 61000-6-2	interference resistance / immission
	EN 61000-6-4	emitted interference / emission
Protection category	IP65	EN 60529 in the installed condition
	IP67	EN 60529

Pin assignment

■ E12, E12E, E12EE

Signal	PIN
CAN_GND	1
+UB	2
GND	3
CAN_H	4
CAN_L	5

■ E1

Signal	E1
CAN_GND	white
+UB	brown
GND	green
CAN_H	yellow
CAN_L	gray

Order

Ordering table

Feature	Ordering data	Specification	Additional information
Type of connection	E1	A cable	2x M12, 5-pole A-coded, fieldbus and power supply internally connected
	E12		
	E12E	bus IN	1x M12, 5-pole A-coded, fieldbus and power supply internally connected
	E12EE	bus IN/bus IN	2x M12, 5-pole A-coded, fieldbus and power supply isolated
Number of revolutions	1	B Single-turn	
	4096	12 bit	Multiturn
Shaft diameter x length	10x20	C	
	6x10		
Protection category	IP65	D Standard	
	IP67		
Cable length L	...	E 01.0, 02.0, 03.0, 05.0, 10.0	
	OK		without cable

Order key

WV58MR - CAN - - 16384 - - - S - - M2 - R - - SW

A
B
C
D
E

Scope of delivery: WV58MR