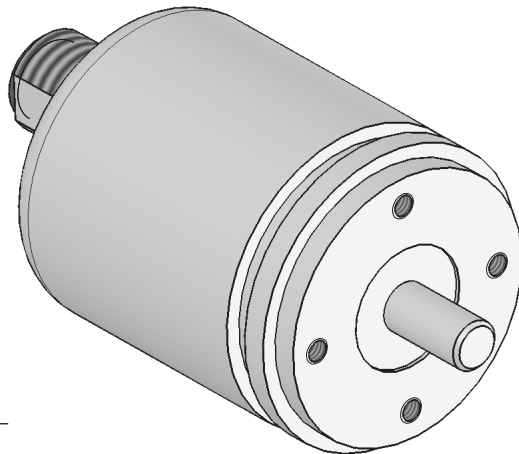


# Absolute encoder WV36M/CAN



**SIKO GmbH**

**Address**  
 Weihermattenweg 2  
 79256 Buchenbach

**Telephone**  
 +49 7661 394-0

**Fax**  
 +49 7661 394-388

**eMail**  
 info@siko.de  
**Internet**  
 www.siko-global.com

**Features:**

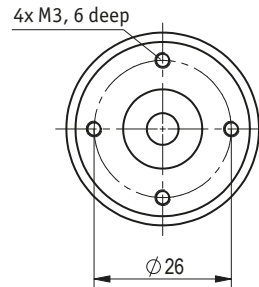
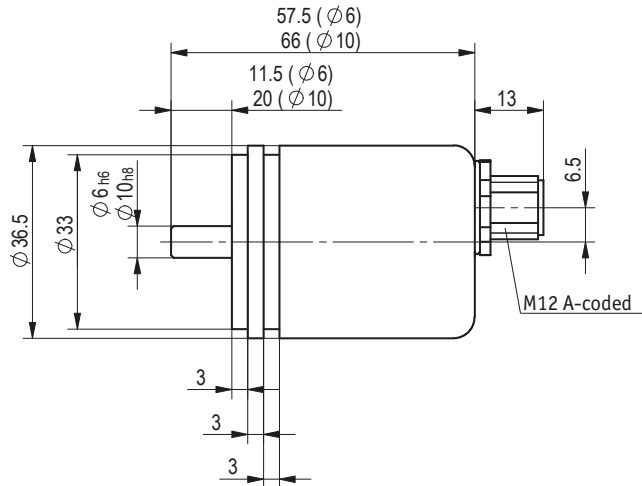
- small design
- interface CANopen (DS406) or SAE J1939
- protection IP65
- multiturn without battery

Feature	Order text	Additional information
Interface	CAN <b>A</b> CANopen (DS406)	
	CAN-J1939 SAE J1939	
Steps per revolution	4096 <b>B</b> 12 Bit	
Number of revolution	4096 <b>C</b> 12 Bit	
	8192 13 Bit	
Mounting type	6/S36 <b>D</b> shaft-ø/flange-ø	
	6/S58 shaft-ø/flange-ø	
	10/S36 shaft-ø/flange-ø	
	10/S58 shaft-ø/flange-ø	
Connection type	M12 <b>E</b> 5 pole (A-coded)	

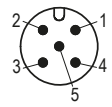
Your ordering: **WV36M/CAN** - **A** - **B** - **C** - **D** - **E**

# Absolute encoder WV36M/CAN

Mounting type xx/S36



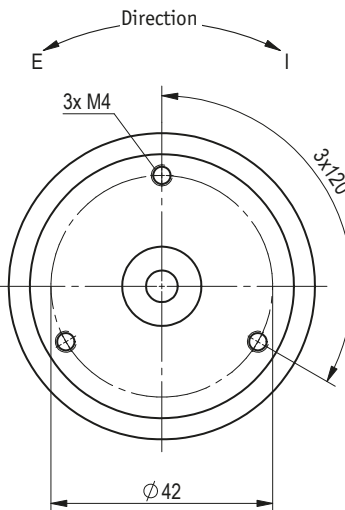
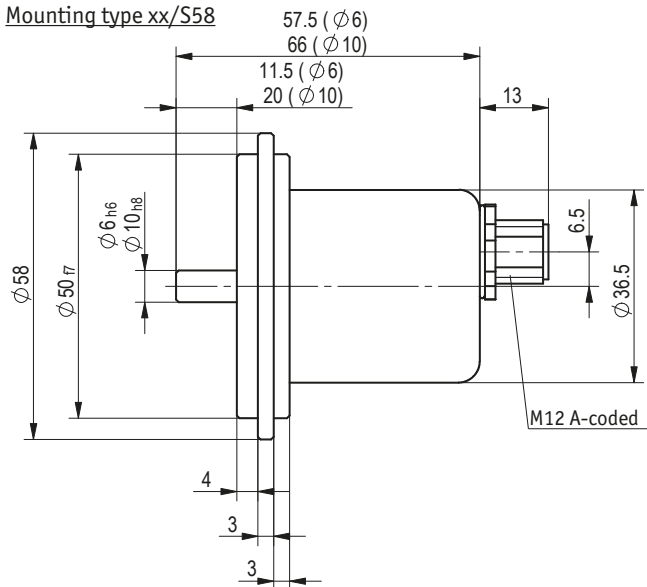
viewing side = plug-in side  
plug pin



Pin assignment

Pin	Signal
1	CAN_GND
2	+UB
3	GND
4	CAN_H
5	CAN_L

Mounting type xx/S58



**Technical data**

**Mechanical data:**

Shaft	stainless steel
Flange	aluminum
Housing	nickel-plated steel
Speed	≤12000 min <sup>-1</sup>
Moment of inertia	≤30 gcm <sup>2</sup>
Starting torque	≤3 Ncm, at 20 °C
Shaft load rating	axial ≤40 N radial ≤110 N
Weight	~0.15 kg

**Electrical data:**

Operating voltage	10 ... 30 V DC, reverse polarity protection
Power input	≤2.5 W
Interface	according to ISO 11898, galvanically isolated CANopen (DS406), SAE J1939 (DS417)
Address	adjustable, via SDO or Layer Setting Service (LSS)
Baud rate	≤1 MBit/s
Cycle time	>1 ms

**Technical data**

**System data:**

Resolution	4096
Travel range	4096 revolution(s) 8192 revolution(s)

**Ambient conditions:**

Ambient temperature	-40 ... 85 °C
Storage temperature	-40 ... 85 °C
Relative humidity	98 %, condensation inadmissible
EMC	EN 61000-6-2, interference resistance / immission EN 61000-6-4, emitted interference / emission

Protection category	IP65, EN 60529
Shock resistance	≤1000 m/s <sup>2</sup> , 6 ms, EN 60068-2-27
Vibration resistance	≤100 m/s <sup>2</sup> , 10 Hz ... 1 kHz, EN 60068-2-6

<b>Accessory</b>	84109	Mating connector M12 5 pins circular cable connector A-coded
	83006	Mating connector M12 5 pins angle cable connector A-coded
	SK	Servo clamp
	AK18	Flexible coupling