

ATEX and IECEx Group I certified. General purpose, side-entry, constant current accelerometer with isolated AC output. Made from robust stainless steel throughout for long term vibration analysis in harsh, hazardous gas and dust environments. Sealed to IP67 and includes integral stainless overbraided ETFE cable. M6, M8 and ¼"-28 UNF mounting bolt also available.

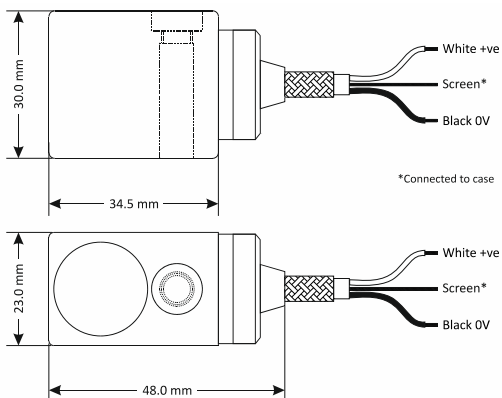
Applications

- General industry
- Compressors, pumps etc
- Oil and petrochemical
- Mining

MTN/M1100ISC



Dimensions



Technical

Standard sensitivity	100mV/g ±10% nominal @ 80Hz
Frequency response	2Hz to 10kHz ±5% (-3dB @ 0.8Hz)
Mounted base resonance	18kHz (nominal)
Isolation	Base isolated
Transverse sensitivity	Less than 5%
Electrical noise	0.1mg max
Current range	0.5 to 8mA
Bias voltage	12V DC (nominal)
Temperature range	-55°C ≤ Ta ≤ +115°C
Case material	Stainless steel
Cable	Integral stainless steel overbraided ETFE
Weight	160g (nominal)
Sealing	IP67
Mounting torque	8Nm
Maximum cable length	See system drawing ATX027
Insulation	Units will pass a 500V insulation test

Certificate details

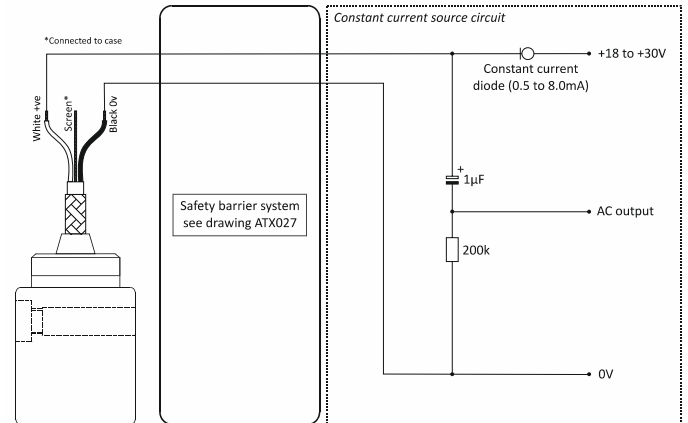
Group I	BAS02ATEX0245X and IECEx BAS 08.0013X Ex ia I Ma (-55°C ≤ Ta ≤ +115°C)
Terminal parameters	Ui = 28V, Ii = 93mA, Pi = 0.65W For Ci & Li see certificate
Barrier	1 x MTL7728+ (BAS01ATEX7217) or (P&F Z728 BAS01ATEX7005) or any other barrier that conforms to note 5 of ATX027

Options

- Mating connectors
- Cable length
- Dust option (Group II only)
- Other sensitivities (see below)

Part #	Mounting	xx = Optional sensitivity ($\pm 10\%$)
MTN/1100ISC-xx	1/4"-28 UNF x 33mm	10
MTN/1100ISCM6-xx	M6 x 35mm	25
MTN/1100ISCM8-xx	M8 x 28mm	30
		50

System connection



Note: Care should be taken not to install this in a high velocity dust laden atmosphere.