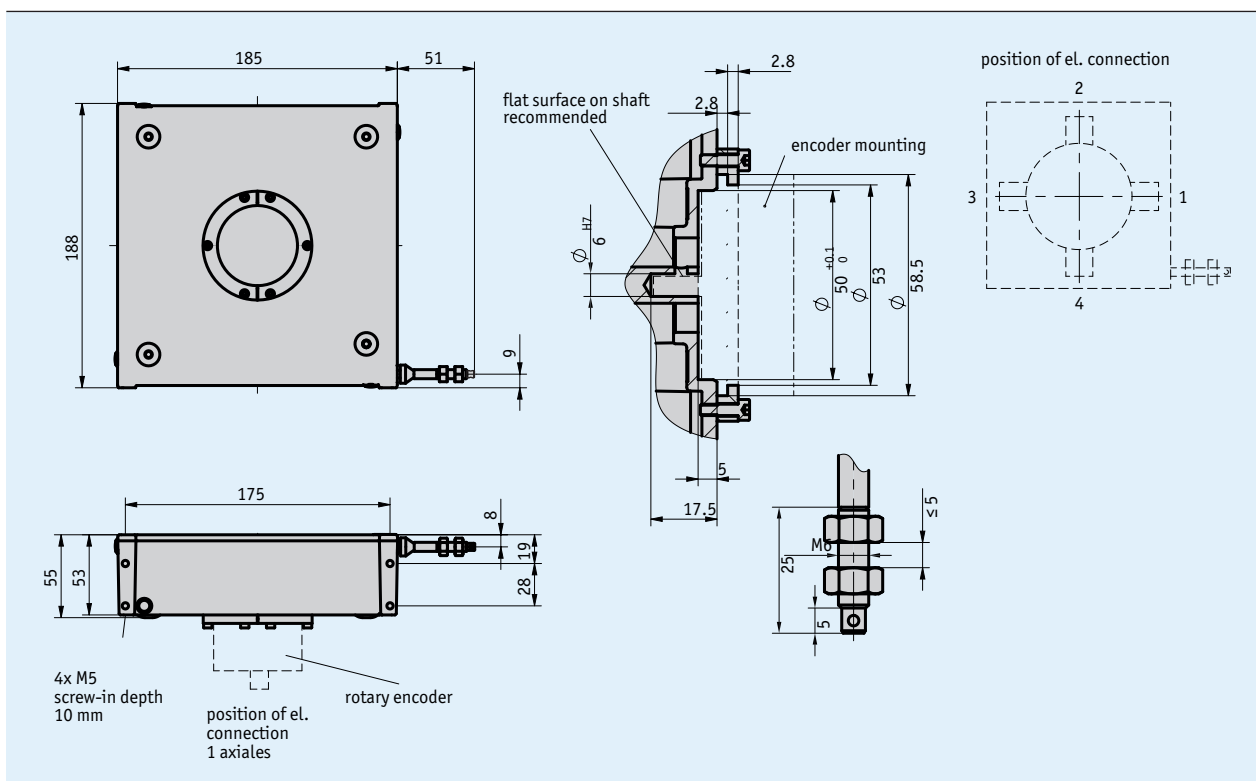


### Profile

- Very compact design
- Measurement lengths up to max. 15000 mm
- Flexible wire outlet
- Wire-actuated encoder for rotary encoder with 58 mm servo-flange
- Robust design
- Very robust measuring rope (stainless steel)
- Also available as a safety version in combination with WV58MR rotary encoder



### Mechanical data

Feature	Technical data	Additional information
Housing	aluminum die-cast	
Wire design	<ul style="list-style-type: none"> <li>ø0.87 mm</li> <li>ø0.81 mm</li> </ul>	<ul style="list-style-type: none"> <li>steel wire (stainless), plastic coated</li> <li>steel wire (stainless)</li> </ul>
Extension force	≥15.5 N	
Measured distance/ rope drum revolution	500 mm	
Weight	~2.5 kg	without rotary encoder

### Electric data

Rotary encoders suitable for the SG150 are featured in RotoLine catalogue 2. Depending on the output signals the following are suitable for...

- Analog outputs such as current or voltage: AV58M
- Incremental outputs: IV5800
- Absolute outputs: WV58MR, WV36M/SSI, WV36M/CAN

The technical specifications for these devices are given in the respective data sheet. A number of transmitter versions of various manufacturers can also be used.

### System data

Feature	Technical data	Additional information
System accuracy	±0.1 %	relating to measuring length (mm)
Repeat accuracy	±0.2 mm	per direction of approach
Travel speed	≤2.4 m/s	

### Ambient conditions

Feature	Technical data	Additional information
Ambient temperature	-40 ... 80 °C	
Protection category	see rotary encoder	

### Order

#### ■ Ordering information

One or more system components are required:

Absolute encoder AV58M	<a href="http://www.siko-global.com">www.siko-global.com</a>
Incremental encoder IV5800	<a href="http://www.siko-global.com">www.siko-global.com</a>
Absolute encoder WV58MR	<a href="http://www.siko-global.com">www.siko-global.com</a>
Absolute encoder WV36M/SSI	<a href="http://www.siko-global.com">www.siko-global.com</a>
Absolute encoder WV36M/CAN	<a href="http://www.siko-global.com">www.siko-global.com</a>

#### ■ Ordering table

Feature	Ordering data	Specification	Additional information
Encoder type	OG6	without encoder	
	S6	a great variety of rotary connectors can be connected	
Position of electrical connection	1	direction or wire outlet or axially	abhängig vom angebauten Geber
	2	upward	
	3	opposite the wire outlet	
	4	downward	
	0	without encoder	

#### ■ Order key

SG150 - 15000 - SK -  -   
A B

**Scope of delivery:** SG150, User information

 **Accessories:**

Guide roller UR

Wire extension piece SV

[www.siko-global.com](http://www.siko-global.com)

[www.siko-global.com](http://www.siko-global.com)